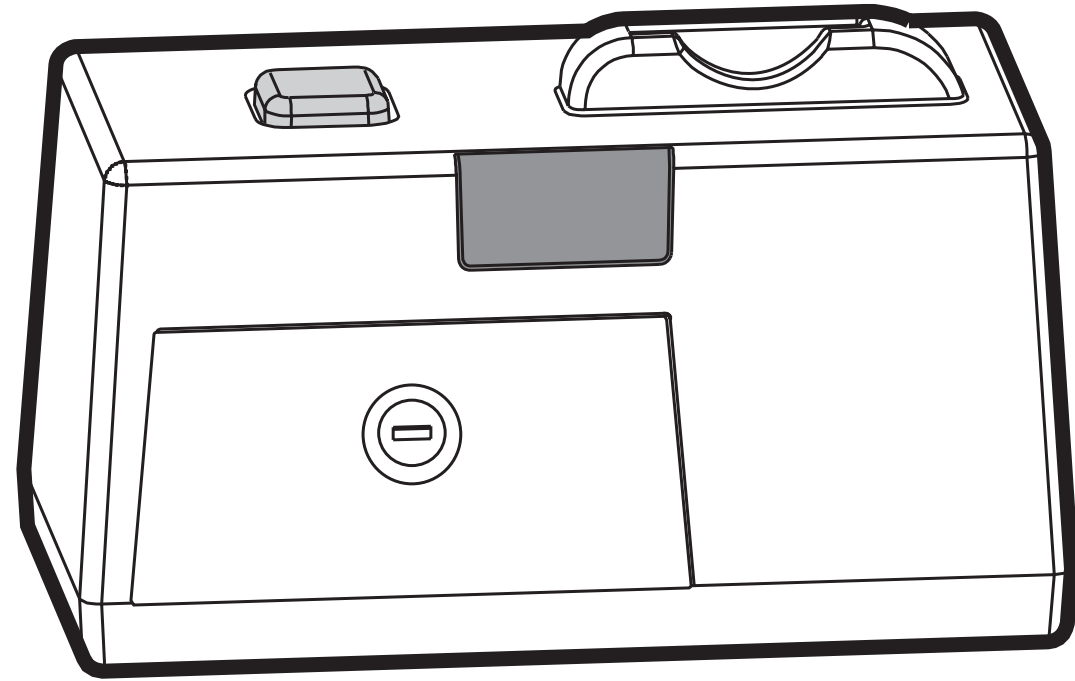


PlayLimit™ User Guide




The **Smart** Way
to Let Kids
Play


Contents

Safety Messages	1
Overview	2
Setup.....	4
Operation.....	10
Troubleshooting.....	14
Service	16
Suggestions & Strategies	17
FAQs	19

Safety Messages

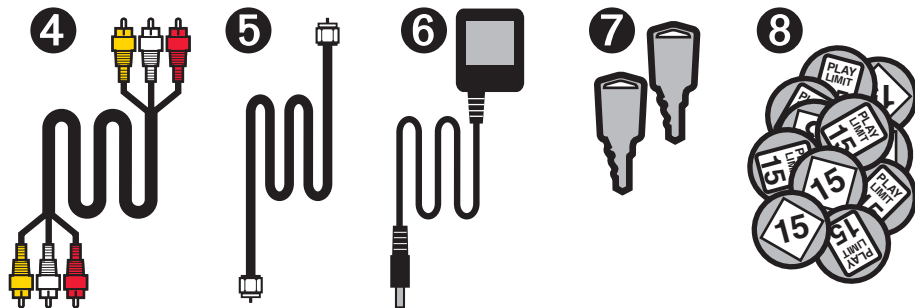
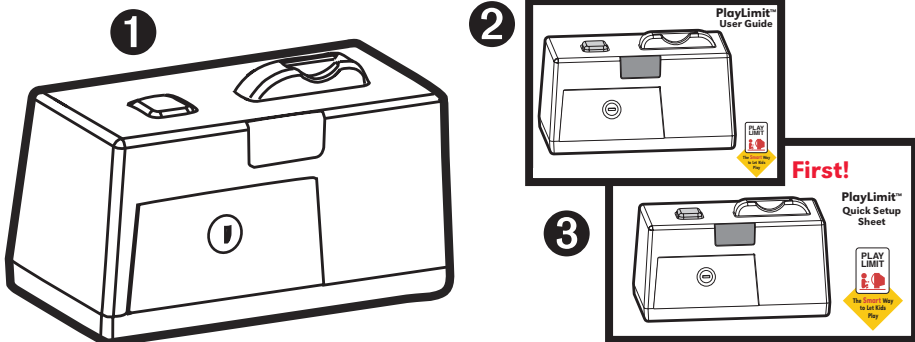
- Use only the power supply included with the PlayLimit. Other power supplies may damage the PlayLimit.
- Insert only PlayLimit tokens in the token slot. Smaller coins will not work. Larger coins will not fit. Wider coins could become jammed in the token slot.
- Never take the PlayLimit console apart to access a jammed token slot. Only the front door and rear security panel are designed to be removed from the PlayLimit console. Further disassembly of the PlayLimit console may cause damage.
- Choking Hazard: Small parts. PlayLimit tokens are not for children under 3 years.

 This symbol indicates a caution or warning. Follow the instructions carefully to avoid damaging the equipment or hurting yourself.

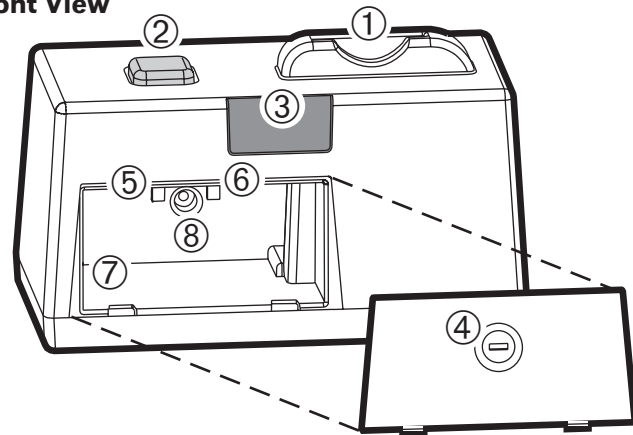
 This symbol indicates a note containing a tip or advice.

Overview

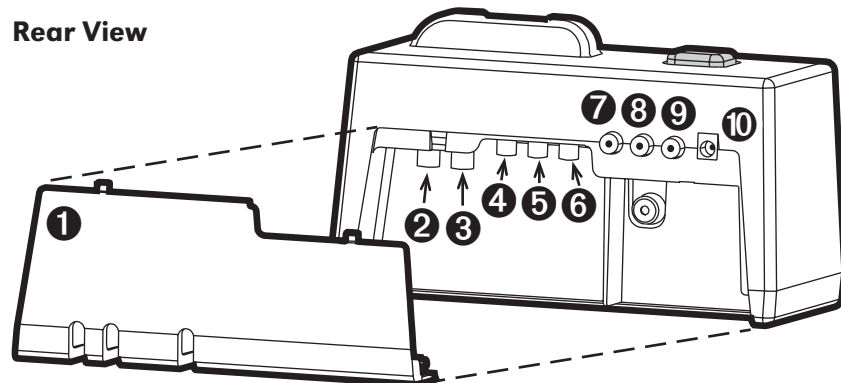
PlayLimit is a simple device that connects to televisions and game systems and allows parents to set limits for the amount of time their children spend watching TV and playing video games. The PlayLimit has a slot for tokens, and each token allows the TV or game system to operate for a certain time increment.



Front View



Rear View



- ① **Token Slot.** Where you insert tokens.
- ② **Pause Button.** Pauses the PlayLimit timer.
- ③ **Time Display.** Shows the play time remaining.
- ④ **Door Lock.** For parents to access coin box.
- ⑤ **Mode Switch.** Sets the PlayLimit operation mode: TOKEN/OFF/ON
- ⑥ **Control Switch.** Sets the devices controlled by PlayLimit: GAME/TV/BOTH
- ⑦ **Coin Box.** Where inserted tokens are stored.
- ⑧ **Security Panel Screw.** Secures the back PlayLimit panel.

- ① **Security Panel.** Ensures the cables from games console and cable TV are locked.
- ② **Coax-In.** From TV picture source.
- ③ **Coax-Out.** To TV.
- ④ **Audio-Right In.** From Game Console
- ⑤ **Audio-Left In.** From Game Console
- ⑥ **Video In.** From Game Console
- ⑦ **Audio-Right Out.** To TV.
- ⑧ **Audio-Left Out.** To TV.
- ⑨ **Video Out.** To TV.
- ⑩ **DC Power Terminal.** For Power Supply cable.

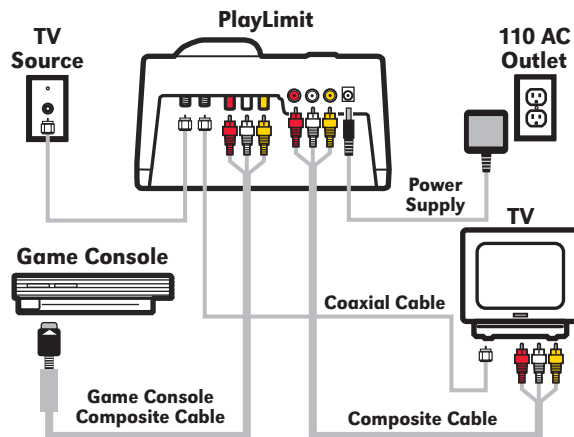
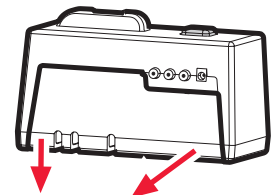
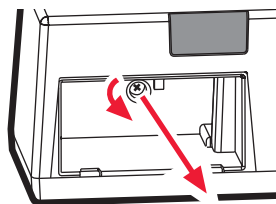
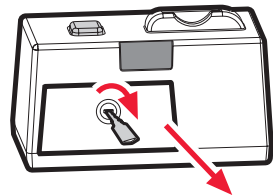
A PlayLimit System contains the following items:

- ① PlayLimit Console (1)
- ② PlayLimit User Guide (1)
- ③ PlayLimit Quick Setup Sheet (1)
- ④ Composite Cable (1, 6 foot)
- ⑤ Coaxial Cable (1, 6 foot)
- ⑥ Power Supply Cable (1, 6 foot)
- ⑦ Coin Box Keys (2)
- ⑧ PlayLimit Tokens (30)

Setup

You can connect PlayLimit to your audio/visual equipment in many different combinations. This section contains setup instructions for the three most typical setups: one game console, one game console and VCR/DVD, and multiple game consoles.

One Game Console Setup



- 1 Remove the Security Panel.
Use a Coin Box key to open the front door. Use a Phillips-head screwdriver (not supplied) to remove the Security Panel screw. Pull down on the Security Panel to detach it.
- 2 Connect the Game Console's component cable to the PlayLimit.
- 3 Connect the coaxial cable from a TV source (such as cable or satellite TV) to the PlayLimit, and connect the coaxial cable (supplied) from the PlayLimit to the TV.
- 4 Reattach the Security Panel.
Align the tabs and slide the panel into place, making sure cables fit through the slots without pinching.
- 5 Insert and tighten the Security Panel screw.
- 6 Connect the composite cable (supplied) from the PlayLimit to the TV.
- 7 Connect the power supply cable (supplied) and plug the power supply into an AC outlet.
- 8 Put the Mode Switch to **TOKEN**.
- 9 Set the Control Switch:
 - If you only connected a game console, put the switch to **GAME**.
 - If you only connected a TV source, put the switch to **TV**.
 - If you connected both a game console and a TV source, put the switch to **BOTH**.
- 10 Close and lock the Coin Box door.
- 11 Test the system:
 - For a TV source, start the TV. The TV shows a blank screen. Insert tokens to begin viewing.
 - For a game console, start the game console and TV. On the TV, select the video input for the game console. The TV shows a blue screen with "OUT OF TIME" on it. Insert tokens to begin play.

⚠ Use only the power supply included with the PlayLimit. Other power supplies may damage the PlayLimit.

⚠ Setup the PlayLimit on a flat, level surface so that tokens can drop through properly.

⚠ If the TV has only one jack for audio, connect the right (red) component cable plug.

⚠ For information on non-typical PlayLimit setups, go to <http://www.playlimit.com/setup>

⚠ **Minimum TV Requirements:**
The TV you connect PlayLimit to must have one set of composite jacks (colored red, white, and yellow).

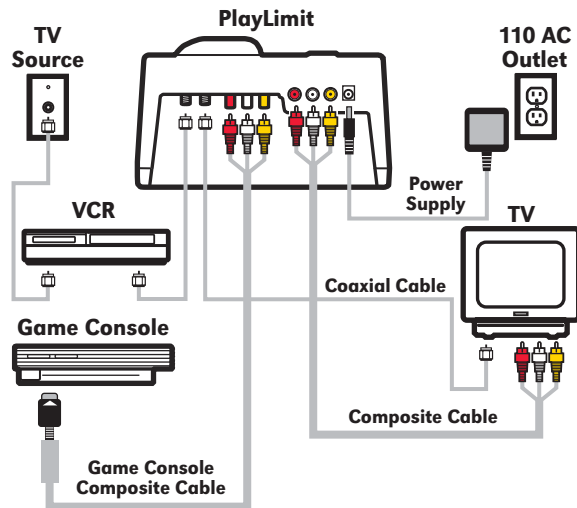
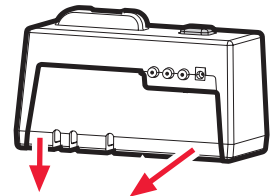
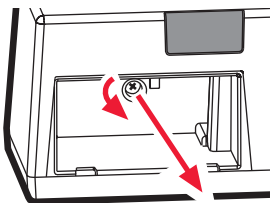
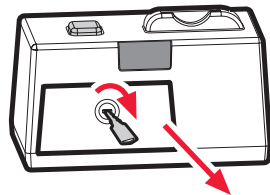


You cannot connect PlayLimit to an S-video jack or component video jacks (colored green, blue, and red).

One Game Console and VCR Setup

1 Remove the Security Panel.

Use a Coin Box key to open the front door. Use a Phillips-head screwdriver (not supplied) to remove the Security Panel screw. Pull down on the Security Panel to detach it.



2 Pick a setup strategy:

- **Control VCR viewing with TV viewing:** Connect the coaxial cable from a TV source (such as cable or satellite TV) to the VCR. Connect the VCR to the PlayLimit with a coaxial cable (not supplied). Connect a coaxial cable (supplied) from the PlayLimit to the TV. Connect the Game Console composite cable to the PlayLimit and then connect the PlayLimit composite cable (supplied) to the TV.
- **Control VCR viewing with game viewing:** Connect the game console cable to the VCR inputs. Connect the VCR composite cable (not supplied) to the PlayLimit and then connect the PlayLimit composite cable (supplied) to the TV. Connect the coaxial cable from a TV source (such as cable or satellite TV) to the PlayLimit, and connect the coaxial cable (supplied) from the PlayLimit to the TV.
- **Do not control VCR viewing:** Connect the VCR directly to the TV and then follow the instructions for "One Game Console Setup" on Page 4.

3 Reattach the Security Panel.

Align the tabs and slide the panel into place, making sure cables fit through the slots without pinching.

4 Insert and tighten the Security Panel screw.

5 Connect the power supply cable (supplied) and plug the power supply into an AC outlet.

6 Put the Mode Switch to **TOKEN**.

7 Put the Control Switch to **BOTH**.

8 Close and lock the Coin Box door.

9 Test the system:

- a) Start the VCR and TV and turn the TV channel to the video input for the VCR. Insert a tape or disc in the VCR and press PLAY. The TV shows a blank screen. Insert tokens to begin viewing.
- b) Start the game console. On the TV, select the video input for the game console. The TV shows a blue screen with "OUT OF TIME" on it. Insert tokens to begin play.

Use only the power supply included with the PlayLimit. Other power supplies may damage the PlayLimit.

Setup the PlayLimit on a flat, level surface so that tokens can drop through properly.

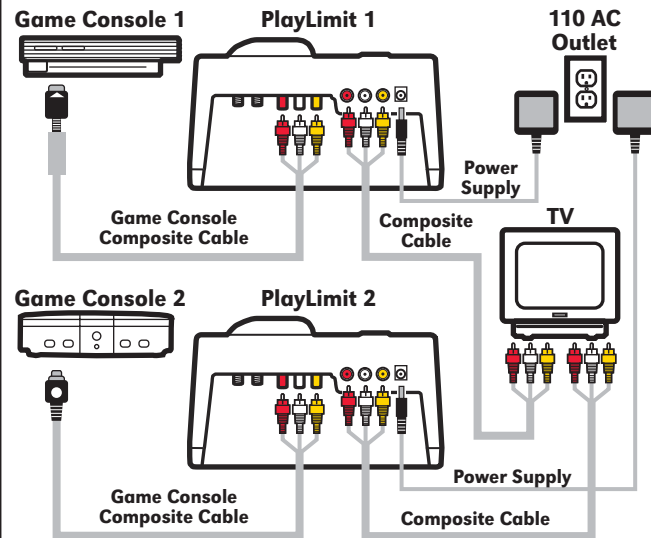
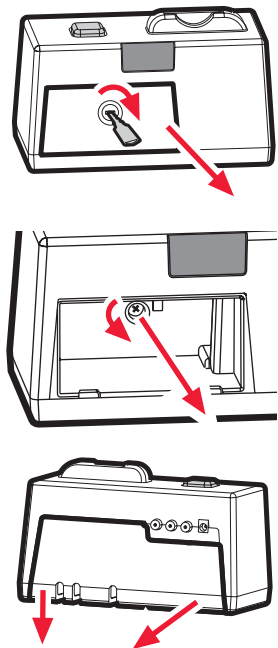
If the TV has only one jack for audio, connect the right (red) component cable plug.

If you control VCR viewing with game viewing, the game console cable is not secured within the PlayLimit and can be easily plugged directly into the TV, bypassing the PlayLimit.

If you control VCR viewing with TV viewing, you must put the TV to either Channel 3 or 4 to view.

Multiple Game Consoles Setup

- 1 Remove the Security Panel.
Use a Coin Box key to open the front door. Use a Phillips-head screwdriver (not supplied) to remove the Security Panel screw. Pull down on the Security Panel to detach it.



- 2 Pick a setup strategy:
 - **Have one PlayLimit for each game console (if your TV has multiple composite jacks).** Connect each Game Console composite cable to a PlayLimit and then connect each PlayLimit composite cable (supplied) to a set of composite jacks on the TV.
 - **Combine the game consoles into a single PlayLimit.** Connect each Game Console composite cable to a 3-way audio/video selector (not supplied) and then connect the PlayLimit composite cable (supplied) to the TV.
- 3 If needed, connect the coaxial cable from a TV source (such as cable or satellite TV) to a PlayLimit, and connect the coaxial cable (supplied) from the PlayLimit to the TV.
- 4 Reattach the Security Panel.
Align the tabs and slide the panel into place, making sure cables fit through the slots without pinching.
- 5 Insert and tighten the Security Panel screw.
- 6 Connect the power supply cable (supplied) and plug the power supply into an AC outlet.
- 7 Put the Mode Switch to **TOKEN**.
- 8 Set the Control Switch:
 - If you only connected game consoles, put the switch to **GAME**.
 - If you connected both a game console and a TV source, put the switch to **BOTH**.
- 9 Close and lock the Coin Box door.
- 10 Test the system:
 - For a TV source, start the TV. The TV shows a blank screen. Insert tokens to begin viewing.
 - For a game console, start a game console and the TV. On the TV, select the video input for the game console. The TV shows a blue screen with "OUT OF TIME" on it. Insert tokens to begin play.

⬮ Use only the power supply included with the PlayLimit. Other power supplies may damage the PlayLimit.

⬮ Setup the PlayLimit on a flat, level surface so that tokens can drop through properly.

⬮ If the TV has only one jack for audio, connect the right (red) component cable plug.

⬮ If you control VCR viewing with game viewing, the game console cable is not secured within the PlayLimit and can be easily plugged directly into the TV, bypassing the PlayLimit.

⬮ If you control VCR viewing with TV viewing, you must put the TV to either Channel 3 or 4 to view.

Operation

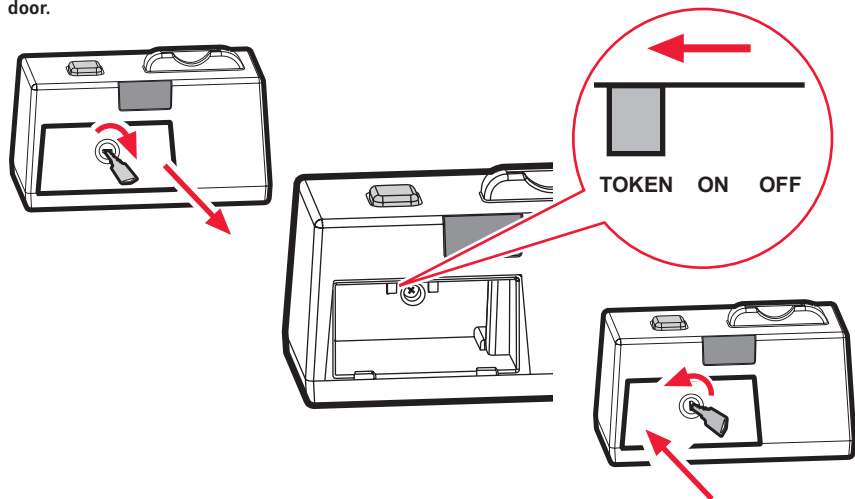
PlayLimit has three operation modes (Token, On, and Off) and are described in this section.

Token (Typical)

In this mode, PlayLimit allows content to appear on the TV only by inserting tokens into the token slot.

1 Set the Mode switch.

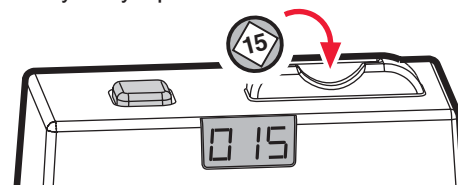
Use a Coin Box key to open the front door, put the Mode switch to **TOKEN**, and close and lock the front door.



2 Turn on the game console and the TV.

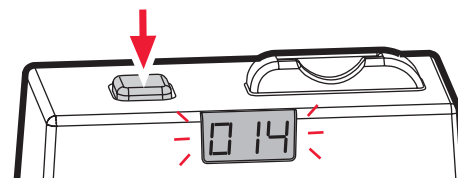
3 Put tokens in the token slot.

Each token adds 15 minutes of play time. The Time Display shows the amount of play time remaining. The timer starts immediately after you put in the first token.



4 If you need to stop playing temporarily, press the Pause button at any time.

PlayLimit puts a PAUSE screen on the TV and the timer stops. The Time Display flashes the remaining time. Press the Pause button again to begin play.



5 When PlayLimit warns you that your time is running out, you can either add more tokens or save and quit your game before the time runs out.

PlayLimit causes the TV to beep when game time remaining is at three minutes and again at one minute. When less than one minute remains, the Time Display counts down in seconds.



3 minutes



Less than a minute

Insert only PlayLimit tokens. Smaller coins will not register time. Larger coins will not fit in the slot. Thicker coins could jam the slot.

The Coin Box holds approximately 100 tokens at a time. There is no warning device to let you know when it's full, so you must periodically remove used tokens.

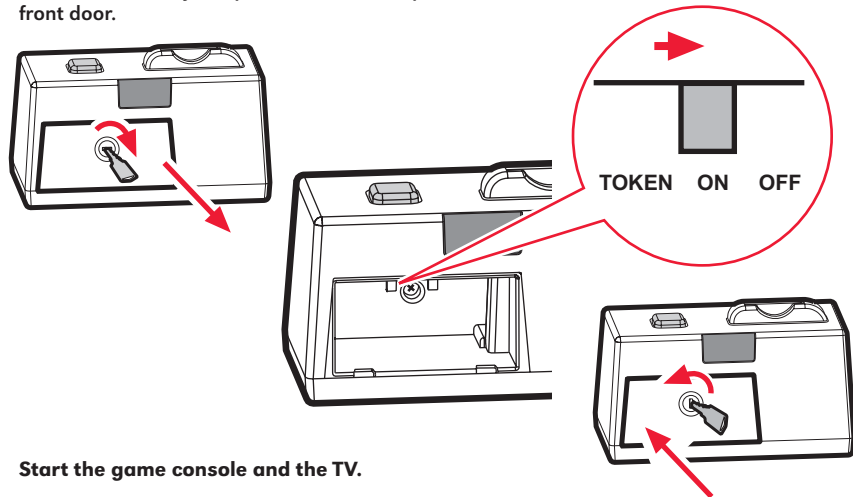
The Time Display shows the remaining time in minutes. (For example, "100" is 100 minutes, not one hour.) However, when the time is less than one minute, it shows time in seconds.

On (Bypass)

In this mode, PlayLimit allows unlimited play and TV viewing.

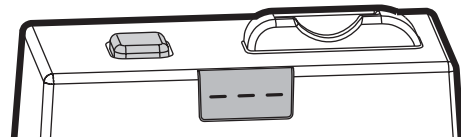
1 Set the Mode switch.

Use a Coin Box key to open the front door, put the Mode switch to **ON**, and close and lock the front door.



2 Start the game console and the TV.

3 The video signal is unblocked — the Timer Display shows “---”.



Off (Lock)

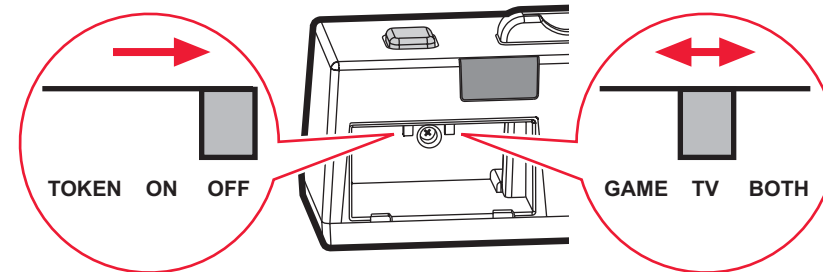
In this mode, PlayLimit does not allow any play or TV viewing.

1 Set the Mode switch.

Use a Coin Box key to open the front door and put the Mode switch to **OFF**.

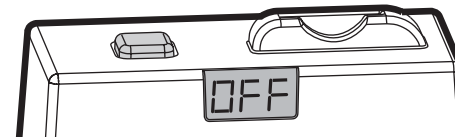
2 Set the Control switch.

- If you want the to allow TV viewing but not game playing, set the switch to **GAME**.
- If you want the to allow game playing but not TV viewing, set the switch to **TV**.
- If you do not want the to allow TV viewing and game playing, set the switch to **BOTH**.



3 Close and lock the front door and, if needed, start the game console or the TV.

4 The video signal is blocked — the TV and the Timer Display show “OFF”.



Here are a couple of examples of when you would want to use Off (Lock) mode:

- Your children has a school project due, and you want to make sure they are not tempted to waste time playing games.
- You are going to be out of the house, and you want to make sure nobody will use the game console.

PlayLimit blocks the video signal only. The audio signals are not blocked.

Troubleshooting

Never take the PlayLimit console apart to access a jammed token slot. Only the front door and rear security panel are designed to be removed from the PlayLimit console. Further disassembly of the PlayLimit console may cause damage.

PlayLimit is part of an entertainment system. If you are experiencing problems, you should also consult the Troubleshooting sections of the manuals for the other components (such as game consoles and TVs).

The Time Display is blank (no numbers or letters).

- The PlayLimit console does not have power. Check the AC/DC Adapter at the connector and at the outlet.



The Time Display shows “- - -” and inserting tokens does not add time.

- The PlayLimit’s Mode switch is in the ON position. If you want to use tokens, use a Coin Box key to open the front door, put the Mode switch to TOKEN, and close and lock the front door.



The Time Display shows “OFF” and inserting tokens does not add time.

- The PlayLimit’s Mode switch is in the OFF position. If you want to use tokens, use a Coin Box key to open the front door, put the Mode switch to TOKEN, and close and lock the front door.



The Time Display shows “000” but does not block the video on the TV.

- The PlayLimit’s Control switch is in the wrong position. Use a Coin Box key to open the front door, put the Mode switch the needed position, and close and lock the front door.
 - If you have only a TV connected to the PlayLimit, put the switch to TV.
 - If you have only a game console connected to the PlayLimit,



put the switch to GAME.

- If you have a TV connected and a game console to the PlayLimit, put the switch to BOTH.

The Time Display shows a number but adding tokens does not add time.

- The Coin Box is full. Use a Coin Box key to open the front door, remove the tokens, and close and lock the front door.
- The Token Slide is jammed. Contact PlayLimit. See “Service” on page 16.



The Time Display shows a number, but it is blinking.

- The Pause button has been pressed. Press the Pause button (on top of the PlayLimit) to resume play.



The Time Display was showing a number, but it reset to “000”.

- Power was removed from PlayLimit console and then it was again applied. The PlayLimit timer will always reset in this case. The only way to get the time back is to insert tokens.



Service

If you are having any operating problems with your PlayLimit, please use the following steps until you are able to resolve the problem:

- 1 Use this User Guide to identify the problem. See “Troubleshooting” on Page 14.
- 2 Check the PlayLimit website for the most recent service information. Go to: <http://www.playlimit.com/service>
- 3 Contact the PlayLimit Service Department by Email at service@playlimit.com. Please include the following information:
 - Location and date you purchased your PlayLimit
 - A description of your setup (what’s connected to your PlayLimit)
 - A detailed description of the problem you are experiencing
 - Your name and email address
- 4 Contact the PlayLimit Service Department by Phone at 1-800-555-1234. Service Department hours are between 9:00AM and 5:00PM EST, Monday through Friday.

Other service notes:

- To clean the PlayLimit console, wipe it with a clean, dry towel.
- Lost your coin box keys? Need additional tokens? Order more at our website. Go to: <http://www.playlimit.com/service>
- Need additional cables? Go to your local electronics store.

Suggestions & Strategies

Purpose of PlayLimit

PlayLimit allows busy parents a simple and convenient way of limiting the time their children spend in front of a TV. Study after study has shown that too much TV is bad for children. Even educational video games and programs, if not restricted, can reduce a children’s ability to think and learn for themselves.


How can PlayLimit help? Simple. By giving kids tokens for a certain time period, parents set a definite limit on how much TV they can watch. What’s more, the tokens empower kids to manage their own time, so parents no longer have to be the “time’s up!” police.

Once children understand their TV limits, parents can encourage other activities such as reading, drawing, and sports to fill the void. And that’s the ultimate purpose of PlayLimit — to be a positive experience for both parents and children.

Introducing PlayLimit to Your Kids

PlayLimit is quite flexible — you can be as strict or as lenient as you want. But regardless of your approach, you should talk with your kids about PlayLimit before installing it. Demonstrate how PlayLimit works and explain how you intend for them to use PlayLimit to access video game and/or TV viewing time. There are two basic approaches:

- **Tokens as an Allowance.** Give your children a certain amount of tokens over a given time period. For example, four tokens per day. In this case, the children would know that they have only one hour per day for TV time. If they would like to play a video game for two hours, they would have to save tokens for two days.

 When setting up your PlayLimit, remember to keep the console low enough so kids can easily insert tokens, and high enough so kids can easily see its Time Display.

- **Tokens as a Reward System.** Give your children a certain amount of tokens after they complete tasks or reach goals. For example, 32 tokens for a good report card. In this case, the children would know that they earn 8 hours of TV time by getting good grades for a marking period

Using Other Operation Modes

You will no doubt have instances when the standard “token for time” operation will not be what you want. Here are a few situations when you might want to use other operation modes:

- When you want to allow unlimited access, put the Mode switch to **ON**.
- When you want to block all access, put the Mode switch **OFF**.
- When you want to block game access but allow unblocked access to the TV, put the Mode switch to **TOKEN** and the Control switch to **GAME**.
- When you want to block TV access but allow unblocked access to the game console, put the Mode switch to **TOKEN** and the Control switch to **TV**.

Avoiding Temptations to Cheat

Here are a few things you can do to reduce the chance of kids trying to bypass PlayLimit:

- Make sure you put all coin box keys in places where children won't be tempted to take them.
- Encourage children to take care of their tokens in the same way they would take care of their money.
- Don't have extra game console AV composite cables available.

FAQs

Does PlayLimit block Internet connections?

No. PlayLimit has no inputs for networks, so it does not have special controls for games played over the Internet.

Can I order more tokens or coin box keys?

Sure! Go to <http://www.playlimit.order.htm>

If I have more than one PlayLimit, are the tokens or coin box keys different?

No. All PlayLimit tokens and locks are the same, so you only need one key.

Is PlayLimit a content control system?

No. In fact, PlayLimit only blocks video content when time is up. Audio content, inappropriate or otherwise, is not blocked.

What is the target age group for PlayLimit?

Ages 5 to 12, although it is certainly possible to use PlayLimit with teenagers.

Does PlayLimit have outputs for HDTV (High Definition Television)?

No, not at this time. Game consoles typically do not have high-resolution outputs and very few games are written to take advantage of HDTV.



See the most up-to-date list of frequently asked questions at <http://www.playlimit.com/faq.htm>

Will PlayLimit work with other coins?

No. PlayLimit is designed to work only with PlayLimit tokens. Other coins may slide through without registering time or become jammed inside.

What stops somebody from plugging the game system directly into the TV?

Game systems have special cables with a unique connector on one end (which connects to the game console) and red, white, yellow composite connectors of the other end. The composite connector is locked inside the PlayLimit.

Is there a special price for ordering more than one PlayLimit?

???

Does PlayLimit come with a money-back guarantee?

???

Does PlayLimit come with a manufacturer's warranty?

???

How do I return a PlayLimit?

See the procedure under "Service" on Page 16.

FCC Compliance

This equipment has been tested and found to comply with the limits for a Class B digital device, pursuant to Part 15 of the FCC Rules. These limits are designed to provide reasonable protection against harmful interference in a residential installation.

This equipment generates, uses, and can radiate radio frequency energy and, if not installed or used in accordance with the instructions, may cause harmful interference to radio communications. However, there is no guarantee that interference will not occur in a particular installation.

If this equipment does cause harmful interference to radio or television reception, which can be determined by turning the equipment off and on, the user is encouraged to try to correct the interference by one or more of the following measures:

- Reorient or relocate the receiving antenna
- Increase the separation between the equipment and the receiver
- Connect the equipment to an outlet on a circuit different from that to which the receiver is connected
- Consult the dealer or an experienced radio/TV technician for additional suggestions

Limited Warranty (or Disclaimer/Limitation on Liability)

SpinDance, Inc. warrants to the original consumer purchaser that the PlayLimit System and all component parts shall be free from defects in material workmanship for a period of 90 days from the date of purchase. If a defect covered by this limited warranty occurs during this 90-day warranty period, SpinDance will repair or replace the defective system or component part, at its option, free of charge. This limited warranty does not apply if the PlayLimit is used with products not distributed or licensed by SpinDance, or if the defects have been caused by negligence, accident, unreasonable use, modification, tampering or any other causes not related to defective materials or workmanship. Additionally, this warranty shall not be valid if the serial number of the PlayLimit System unit has been altered, defaced or removed in any way. Please retain the original or a photocopy of your dated sales receipt to easily establish the date of purchase for in-warranty repairs.

© 2004 SpinDance, Inc. All rights reserved. PlayLimit is a trademark of SpinDance, Inc.

